

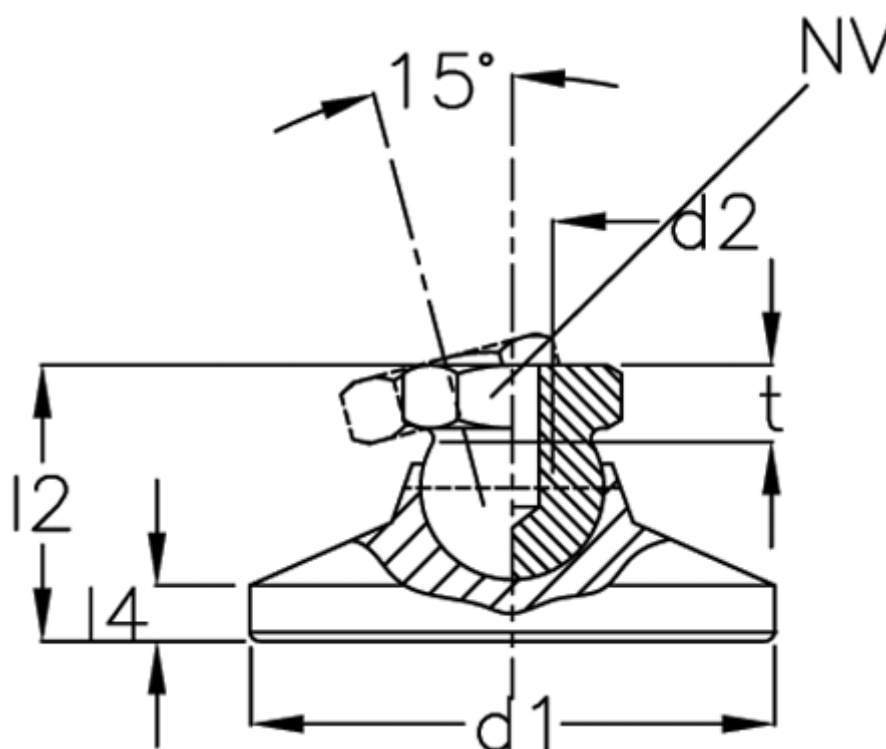
# Data Sheet



Article number: 20343150M10KS

Description: E+G levelling foot  
GN 343.1-50-M10-KS

## Measures



d1	= 50
d2	= 10
l2	= -
l4	= -
NV	= 15
Static load (kN)	= 23
t min	= 10.5